

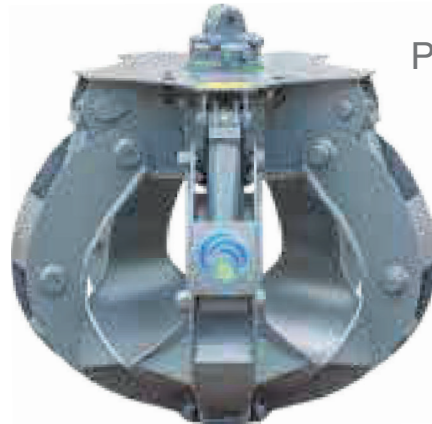
Compact orange peel grab for metal scrap and loose materials.

- Long-lasting design and constant improvements in building materials grant reliability and lifespan.
- Compact and sturdy design, generous load capacity.
- The hydraulic circuit is perfectly protected into the structure.
- Incorporated hydraulic or mechanical rotation.
- Jaws are made of HB 400 wear-resistant steel, tips are forged.

PFO-6/270

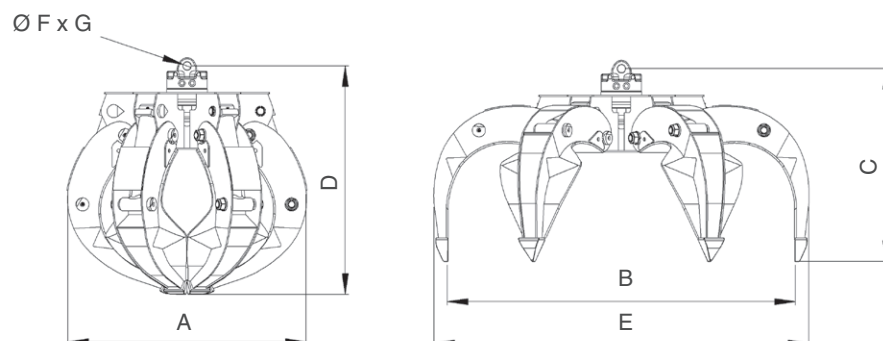


PFO-5/250



Model	Jaws n.	Cap. l.	Weight Kg.	Max load daN	Max BAR	A mm	B mm	C mm	D mm	E mm	Ø F x G mm
PFO - 3/100	3	100	85	750	220	750	1070	580	750	1200	25x30
PFO - 4/100	4	100	125	1000	220	750	1070	580	750	1200	25x30
PFO - 5/100	5	100	140	1500	220	750	1070	580	750	1200	25x30
PFO - 4/120	4	120	220	1500	220	850	1170	690	850	1350	30x60
PFO - 4/180	4	180	250	1500	220	920	1400	760	990	1570	30x60
PFO - 5/220	5	220	280	2000	220	970	1450	780	990	1600	30x60
PFO - 6/230	6	230	340	2500	220	960	1500	800	1040	1680	30x60
PFO - 4/250	4	250	280	2500	220	1040	1480	820	980	1620	32x80
PFO - 5/250	5	250	350	2500	220	1040	1480	820	980	1620	32x80
PFO - 6/270	6	270	400	3000	220	1020	1500	850	920	1650	32x80
PFO - 4/300	4	300	360	2500	220	1110	1600	850	1010	1750	32x80
PFO - 5/300	5	300	430	3000	220	1160	1600	850	1010	1750	32x80
PFO - 6/320	6	320	470	3000	220	1160	1720	950	1010	1870	32x80
PFO - 4/400	4	400	430	2500	220	1250	1860	870	1050	2010	35x80
PFO - 5/400	5	400	540	3000	220	1250	1860	870	1050	2010	35x80
PFO - 6/400	6	400	590	3000	220	1250	1860	870	1050	2010	35x80

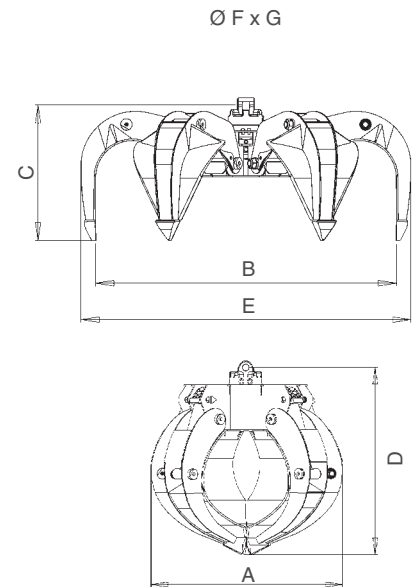
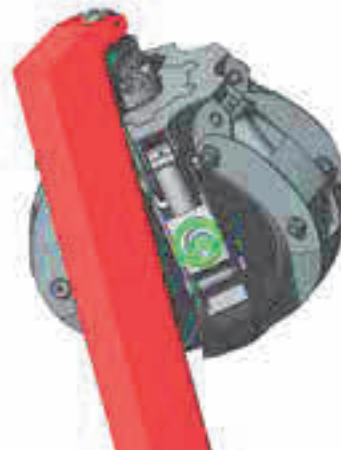
Technical Data



Orange peel grab for foldable truck cranes

- The asymmetric design of the tines allows this 6 tines grapple to remain folded on “Z cranes” without exceeding the truck’s overall dimensions.

PFO-6/290



Model	Jaws n.	Cap. l.	Weight Kg	Max load daN	Max BAR	A mm	B mm	C mm	D mm	E mm	Ø F x G mm
PFO - 6/290	6	290	410	3000	220	1050	1500	750	920	1650	32x80

Accessories

GRM 4 T	Mechanical, free 250° rotation (without hydraulic supply)
GRI 4 T	Hydraulic rotator for models PFO-4/100 and PFO-5/100
GRI 4 T/S	Hydraulic rotator for models PFO-4/120 and PFO-4/180
GRI 5 T/S	Hydraulic rotator for models PFO-5/220 and PFO-6/230
GRI 5 T/SF	Hydraulic rotator from mod. PFO 4/250 until PFO 6/320
GRI 11 T/SF	Hydraulic rotator for mod. PFO 5/400 and PFO 6/400
Top link for crane	Cardan suspension link for truck crane
Top link for excavator	Cardan suspension link for excavator
-SR	Heavy-duty, reinforced version available on demand.

3 different tine shapes available: open, semi-closed (standard), closed.



Compact polyp grab for excavators up to 16 Ton

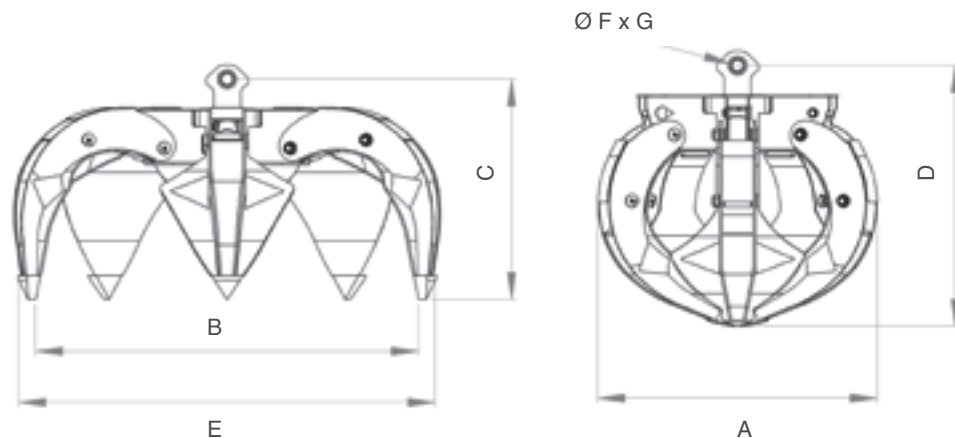
- Reduced overall dimensions to operate in confined spaces
- Jaws and tips are made of HB 400 wear-resistant steel.
- Hydraulic circuit is fully protected into the structure.
- Solid tine stops protect cylinders from shock loads.

PFO-5/400 SR



Model	Jaws n.	Cap. l.	Weight Kg	Max load daN	Max BAR	A mm	B mm	C mm	D mm	E mm	Ø F x G mm
PFO - 4/400-SR	4	400	550	2500	300	1250	1860	870	1050	2010	50x100
PFO - 5/400-SR	5	400	600	3000	300	1250	1860	870	1050	2010	50x100
PFO - 6/400-SR	6	400	650	3000	300	1250	1860	870	1050	2010	50x100

Technical Data



Accessories

GRM 6 T	Mechanical, free 250° rotation (without hydraulic supply)
GRI 17 T/SF	Hydraulic rotator
Top link for excavator	Cardan suspension link for excavator

3 different tine shapes available: open, semi-closed (standard), closed.



Compact orange peel grapple for midi-excavators

- The best solution to work indoors or to operate in confined spaces.
- Long tested in the hardest working conditions on site.
- Jaws and tips are made of HB 400 wear-resistant steel.
- Very attractive value for money.

PFO-5/600 P

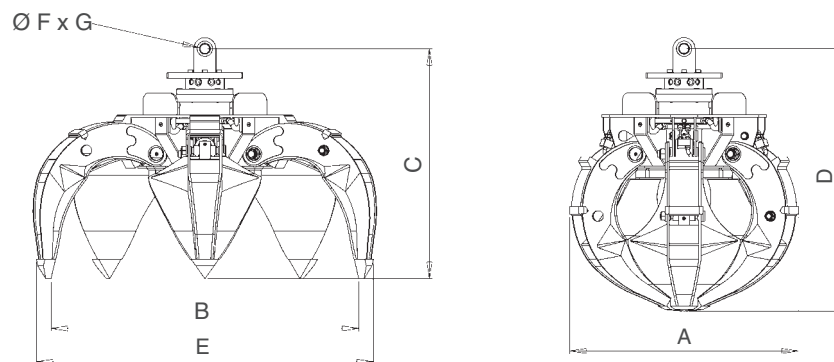


PFO-6/600 P



Model	Jaws n.	Cap. l.	Weight Kg	Max load daN	Max BAR	A mm	B mm	C mm	D mm	E mm	Ø F x G mm
PFO - 4/400-P	4	400	700	4000	300	1250	1750	1200	1400	1900	50x100
PFO - 5/400-P	5	400	800	5000	300	1250	1750	1200	1400	1900	50x100
PFO - 6/400-P	6	400	850	5000	300	1250	1750	1200	1400	1900	50x100
PFO - 4/600-P	4	600	800	4000	300	1380	1920	1200	1420	2080	50x100
PFO - 5/600-P	5	600	900	5000	300	1380	1920	1200	1420	2080	50x100
PFO - 6/600-P	6	600	950	5000	300	1380	1920	1200	1420	2080	50x100

Technical Data



Accessories

GRM 10 T	Mechanical, free 250° rotation (without hydraulic supply)
GRI 10 T/P	Hydraulic rotator
Top link for excavator	Cardan suspension link for excavator
Cylinder protection	Protections for hydraulic cylinder – recommended for urban waste

3 different tine shapes available: open, semi-closed (standard), closed.



Orange peel grab with vertical cylinders

- Traditional and very reliable design, made of 420 DOMEX steel.
- Easy maintenance operations.
- The best solution for the job in tanneries
- Jaws are made of HB 400 wear-resistant steel, tips are forged.

PFV-6/360

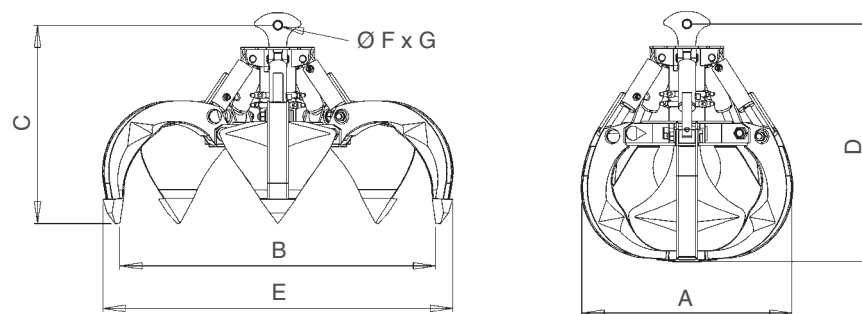


PFV-6/250



Model	Jaws n.	Cap. l.	Weight Kg	Max load daN	Max BAR	A mm	B mm	C mm	D mm	E mm	Ø F x G mm
PFV - 5/150	5	150	230	1500	220	830	1300	770	940	1420	30x60
PFV - 6/250	6	250	390	2500	220	1000	1500	940	1150	1560	32x80
PFV - 6/360	6	380	550	3000	220	1120	1530	1030	1200	1710	32x80

Technical Data



Accessories

GRM 4 T	Mechanical, free 250° rotation (without hydraulic supply)
GRI 4 T/S	Hydraulic rotator for mod. PFV 5/150
GRI 5 T/SF	Hydraulic rotator
Top link for crane	Cardan suspension link for truck crane
Tannery kit	Spherical tips and round jaw edges to protect leather from cuts

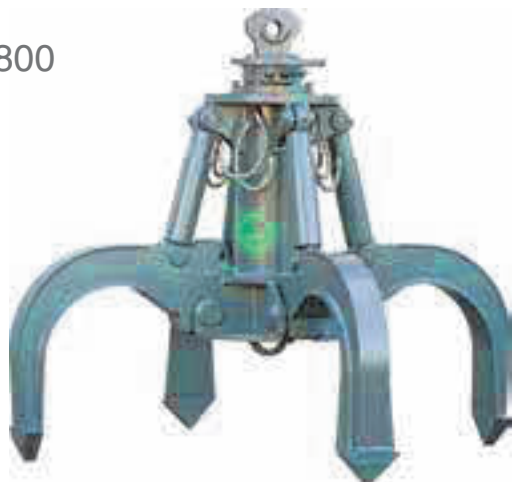
3 different tine shapes available: open, semi-closed (standard), closed.



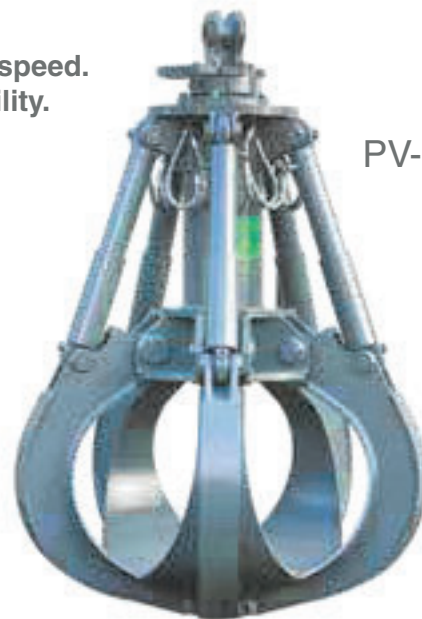
Orange peel grapple with vertical cylinders for material handlers.

- Cylinders with double-ball joint, hydraulically cushioned.
- Fully made of special, fine grain steel.
- Geometry and kinematics thought to combine closing power and speed.
- Extra-large pivot points and oversized pins grant maximum reliability.
- Accurate construction, solid end stops (opening and closing).

PV-4/800

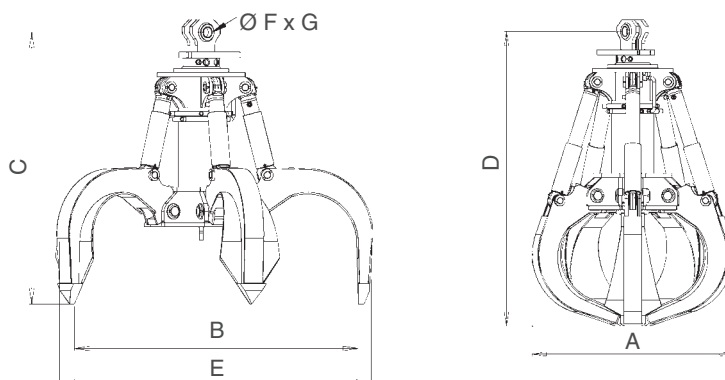


PV-5/1000



Model	Exc weight Ton.	Jaws n.	Cap. l.	Weight Kg	Max load daN	Max BAR	A mm	B mm	C mm	D mm	E mm	Ø F x G mm
PV - 5/500	18-25	5	500	1200	6000	350	1460	2000	1820	2120	2180	50 x 100
PV - 6/500	18-25	6	500	1350	6000	350	1460	2000	1820	2120	2180	50 x 100
PV - 5/600	18-25	5	600	1300	6000	350	1540	2120	1850	2180	2320	50 x 100
PV - 6/600	18-25	6	600	1450	6000	350	1540	2120	1850	2180	2320	50 x 100
PV - 5/650	24-35	5	650	1700	8000	350	1465	2060	1850	2190	2220	70 x 150
PV - 6/650	24-35	6	650	1900	8000	350	1465	2060	1850	2190	2220	70 x 150
PV - 5/800	24-35	5	800	1750	8000	350	1585	2220	1875	2230	2420	70 x 150
PV - 6/800	24-35	6	800	1970	8000	350	1585	2220	1875	2230	2420	70 x 150
PV - 5/1000	24-35	5	1000	2000	8000	350	1700	2355	1890	2300	2600	70 x 150
PV - 6/1000	24-35	6	1000	2170	8000	350	1700	2355	1890	2300	2600	70 x 150

Technical Data



Accessories

GRM 10 T	Mechanical, free rotation (250°)
GRI 10 T/P	Hydraulic rotator for model with 500 and 600 l. capacity
GRI 20 T/P	Hydraulic rotator for model with 650, 800 and 1000 l. capacity
Protections	Removable hose protections
Top link for excavator	Suspension link (cardanic) for excavator

3 different tine shapes available: open, semi-closed (standard), closed.
All models available in the 4-tines version.

