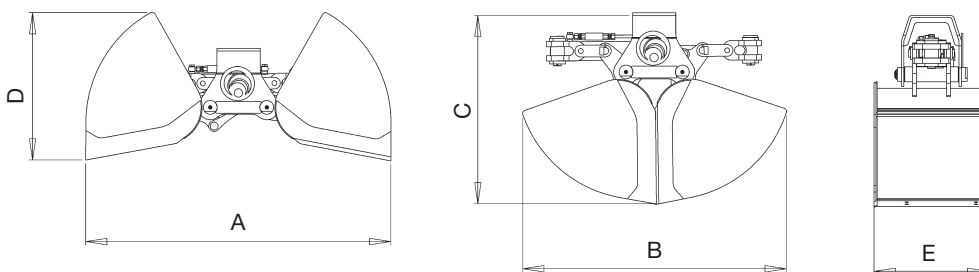


Clamshell bucket with horizontal cylinder



Model	Exc weight Ton.	Cap. l.	Weight Kg	Max load daN	Max BAR	A mm	B mm	C mm	D mm	E mm
BMO - 60/S	1 - 3.5	60	75	300	220	930	805	560	330	300
BMO - 80/S	1 - 3.5	80	85	300	220	930	805	560	330	400
BMO - 100/S	1 - 3.5	100	100	300	220	930	805	560	330	500
BMO - 110/S	4 - 6	110	150	600	220	1065	1015	715	410	300
BMO - 130/S	4 - 6	130	160	600	220	1065	1015	715	410	400
BMO - 150/S	4 - 6	150	170	600	220	1065	1015	715	410	500
BMO - 180/S	7 - 9	180	300	1500	220	1300	1125	850	550	500
BMO - 210/S	7 - 9	210	310	1500	220	1300	1125	850	550	600
BMO - 240/S	7 - 9	240	325	1500	220	1300	1125	850	550	700
BMO - 270/S	7 - 9	270	340	1500	220	1300	1125	850	550	800
BMO - 250/S	7 - 9	250	320	1000	220	1500	1340	920	500	500
BMO - 300/S	7 - 9	300	330	1500	220	1500	1340	920	500	600
BMO - 400/S	7 - 9	400	345	1500	220	1500	1340	920	500	700
BMO - 500/S	7 - 9	500	365	1500	220	1500	1340	920	500	800

Technical Data



Accessories

Fixed head	Bolt-on head (without rotation)
GRM	Mechanical, free rotation (250°)
GRI	Hydraulic continuous rotator
Ejector	Scraper for mud
Teeth	Digging teeth, bolted
Top link for crane	Suspension link (cardanic) for truck crane
Top link for excavator	Suspension link (cardanic) for excavator

Clamshell bucket with horizontal cylinder for loading

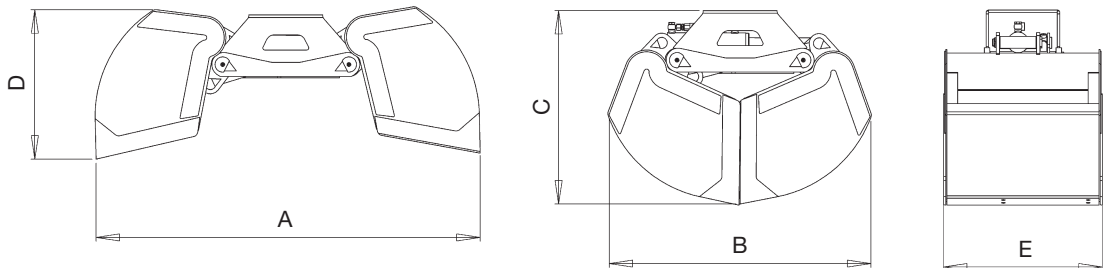
- Sturdy, reliable and compact design.
- Very good loading intake.
- Hydraulic or mechanical rotation available on demand.
- Cutting edges made of HB 400 wear-resistant steel



BMO - 400/L

Model	Cap. l.	Weight Kg	Max load daN	Max BAR	A mm	B mm	C mm	D mm	E mm
BMO - 200/L	200	308	1000	220	1800	1210	870	640	430
BMO - 300/L	300	314	1500	220	1800	1210	870	640	600
BMO - 400/L	400	322	1500	220	1800	1210	870	640	700
BMO - 500/L	500	330	1500	220	1800	1210	870	640	800
BMO - 600/L	600	340	1500	220	1800	1210	870	640	1000

Technical Data



Accessories

Fixed head	Bolt-on head (without rotation)
GRM 4 T/F	Mechanical, free 250° rotation (without hydraulic supply)
GRI 4 T/SF	Hydraulic rotator
GRI 5 T/SF	Hydraulic rotator
Teeth	Digging teeth, bolted
Top link for crane	Cardan suspension link for truck crane
Top link for excavator	Cardan suspension link for excavator

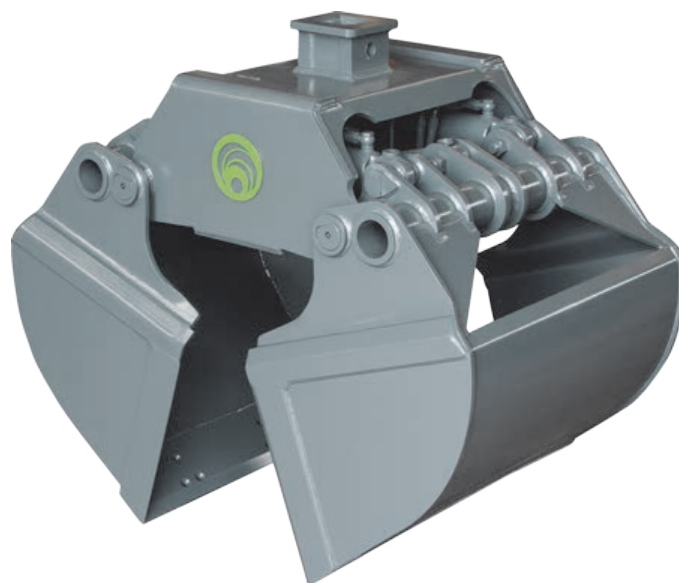
Clamshell bucket with two horizontal cylinders for loading

- Sturdy, reliable and compact design.
- Shape of the shells and high penetration force grant excellent loading capacity.
- Suitable for excavator up to 26 Ton.
- Cutting edges made of HB 400 wear-resistant steel, teeth available on demand.

BMO-1200/P2

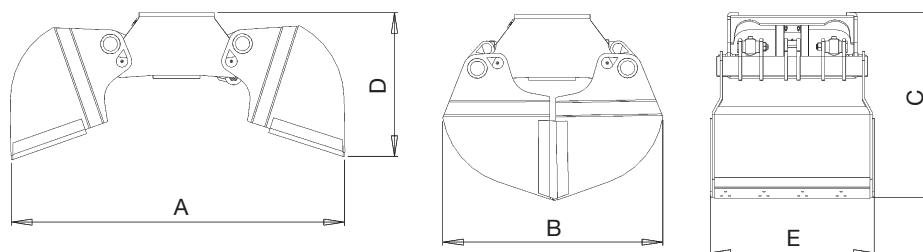


BMO-1000/P2



Model	Cap. l.	Weight Kg	Max load daN	Max BAR	A mm	B mm	C mm	D mm	E mm
BMO - 500/P2	500	550	2500	300	1740	1160	950	750	1030
BMO - 700/P2	650	710	2500	300	2160	1450	1250	1030	800
BMO - 1000/P2	850	850	3000	300	2160	1450	1250	1030	1050
BMO - 1200/P2	1000	1050	3500	300	2160	1450	1250	1030	1200
BMO - 1500/P2	1300	1150	3500	300	2160	1450	1250	1030	1500
BMO - 2000/P2	1700	1450	5000	300	2160	1450	1250	1030	2000

Technical Data



Accessories

Fixed head	Fixed head (without rotation)
GRM 10 T/F	Mechanical, free 250° rotation (without hydraulic supply)
GRI 10 T/P	Hydraulic rotator for excavators up to 23 Ton
GRI 20 T/P	Hydraulic rotator for excavator of 24 Ton and over
Teeth	Digging teeth, bolted
Extension	Extensions up to 3 metres of length
Top link for excavator	Cardan suspension link for excavator

Clamshell bucket with two vertical cylinders, suitable for digging

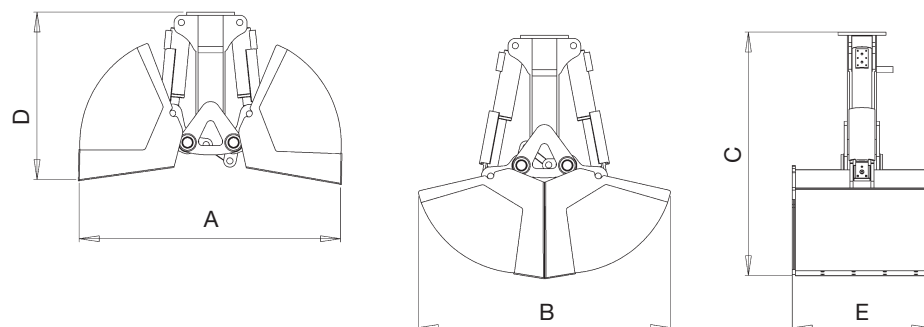
- Cylinders geometry grants very good digging capabilities.
- Sturdy and reliable design.
- Hydraulic or mechanical rotation available on demand.
- Cutting edges made of HB 400 wear-resistant steel.



BMV-2/350

Model	Cap. l.	Weight Kg	Max load daN	Max BAR	A mm	B mm	C mm	D mm	E mm
BMV - 2/200-S	175	240	1500	300	1340	1230	1170	940	270
BMV - 2/250	250	260	1500	220	1340	1230	1170	940	520
BMV - 2/350	350	280	1500	220	1340	1230	1170	940	670
BMV - 2/500	500	300	1500	220	1340	1230	1170	940	800

Technical Data



Accessories

Fixed head	Bolt-on head (without rotation)
GRM 4 T/F	Mechanical, free 250° rotation (without hydraulic supply)
GRI 4 T/SF	Hydraulic rotator
GRI 5 T/SF	Hydraulic rotator
Teeth	Digging teeth, bolted
Top link for crane	Cardan suspension link for truck crane
Top link for excavator	Cardan suspension link for excavator

Clamshell bucket with two vertical cylinders, suitable for loading and digging

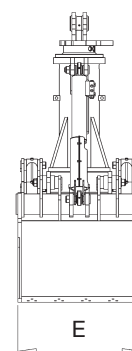
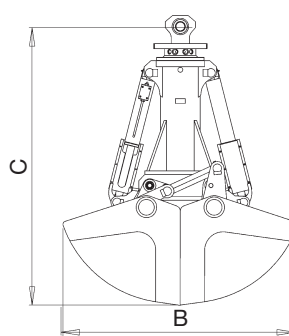
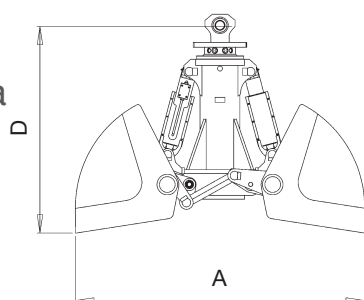
- Geometry of the 2 powerful cylinders grants huge penetration force.
- Robust construction makes it suitable for the most demanding applications.
- Suggested for excavator up to 32 Ton.
- Buckets made of HB 400 wear-resistant steel, teeth available on demand.

BMV-2/1300-P



Model	Cap. l.	Weight Kg	Max load daN	Max BAR	A mm	B mm	C mm	D mm	E mm
BMV - 2/300-P	300	480	3000	300	1620	1480	1780	1280	500
BMV - 2/350-P	350	510	3000	300	1620	1480	1780	1280	600
BMV - 2/400-P	400	540	3000	300	1620	1480	1780	1280	700
BMV - 2/450-P	460	580	3000	300	1620	1480	1780	1280	800
BMV - 2/500-P	520	610	3000	300	1620	1480	1780	1280	900
BMV - 2/1000-P	1050	1500	5000	300	2400	1950	2000	1400	1000
BMV - 2/1300-P	1350	1700	5000	300	2400	1950	2000	1400	1300
BMV - 2/1500-P	1600	1900	5000	300	2400	1950	2000	1400	1500

Technical Data



Accessories

Fixed head	Bolt-on head (without rotation)
GRM 10 T/F	Mechanical, free 250° rotation (without hydraulic supply)
GRI 10 T/P	Hydraulic rotator up to 500 lt.
GRI 20 T/P	Hydraulic rotator for 1000 lt. and over
Teeth	Digging teeth, bolted
Extension	Extensions up to 3 metres of length
Top link for excavator	Cardan suspension link for excavator